

Series `M` Mirrored Cabinets

MT16/20/24D4FPN & MT16/20/24D4FBN

Product Description: MT16D4FPN, W387 mm plain edge
 MT16D4FBN, W387 mm bevel edge
 MT20D4FPN, W489 mm plain edge
 MT20D4FBN, W489 mm bevel edge
 MT24D4FPN, W591 mm plain edge
 MT24D4FBN, W591 mm bevel edge

Recommended Items: CB-MSMK30D4P Mirrored side kit for external mounting
 CB-MGKIT Ganging kit to join up to 3 cabinets

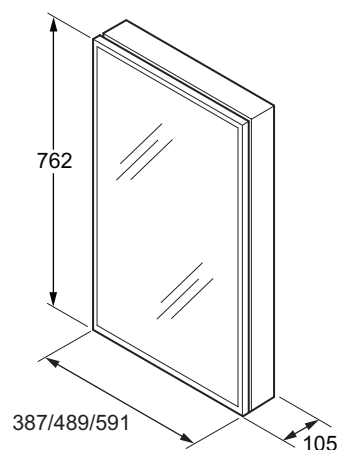
Product Dimensions: MT16D4FPN, W387 mm
 MT16D4FBN, W387 mm
 MT20D4FPN, W489 mm
 MT20D4FBN, W489 mm
 MT24D4FPN, W591 mm
 MT24D4FBN, W591 mm

Material: Aluminium

Product Weight (kg): MT16D4FPN - 14
 MT16D4FBN - 14
 MT20D4FPN - 17
 MT20D4FBN - 17
 MT24D4FPN - 19
 MT24D4FBN - 20

Guarantee (Years): 2

Additional Information: After use, dry any excess moisture with a soft towel or cloth. Never use strong detergents, bleaches, wax based polishes or abrasive cleaning products. Always ensure that the bathroom is ventilated.

Dimensions (mm)**Kohler UK**

Sales and Technical:

+44 (0) 844 571 0048 (Calls cost 7p per minute plus your phone company's access charge)

info@kohler.co.uk

www.KOHLER.co.uk

THE BOLD LOOK
 OF **KOHLER**®